

4

3

2

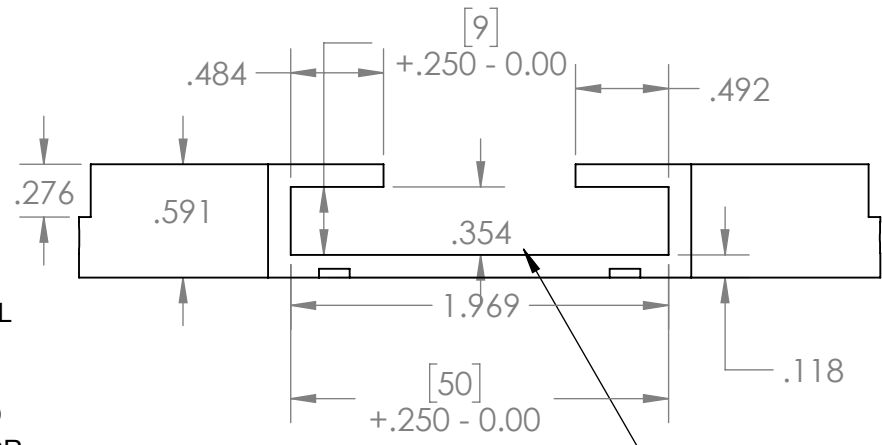
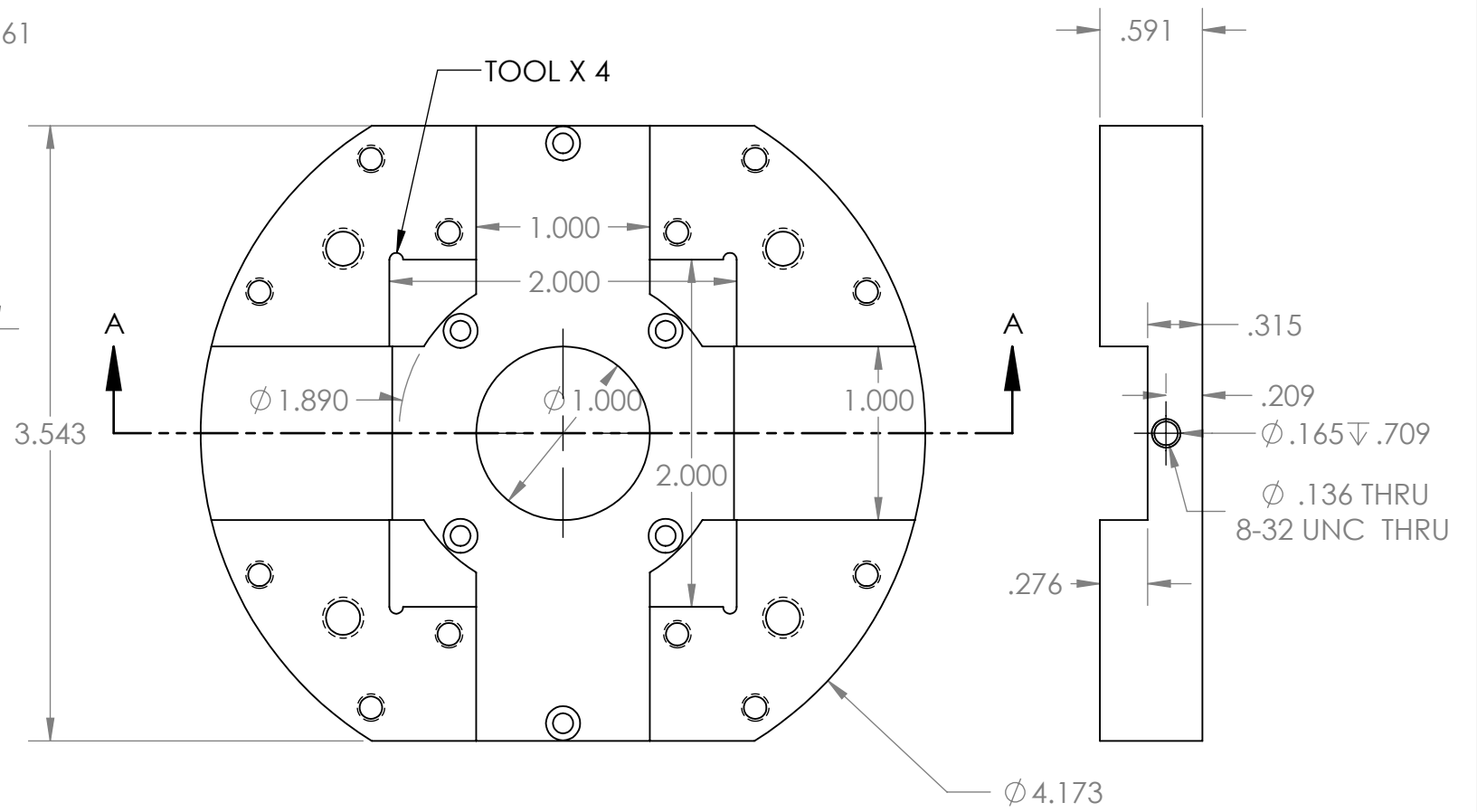
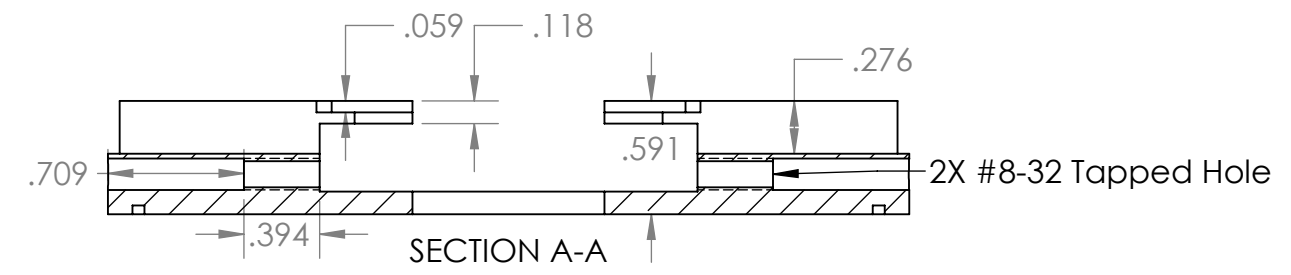
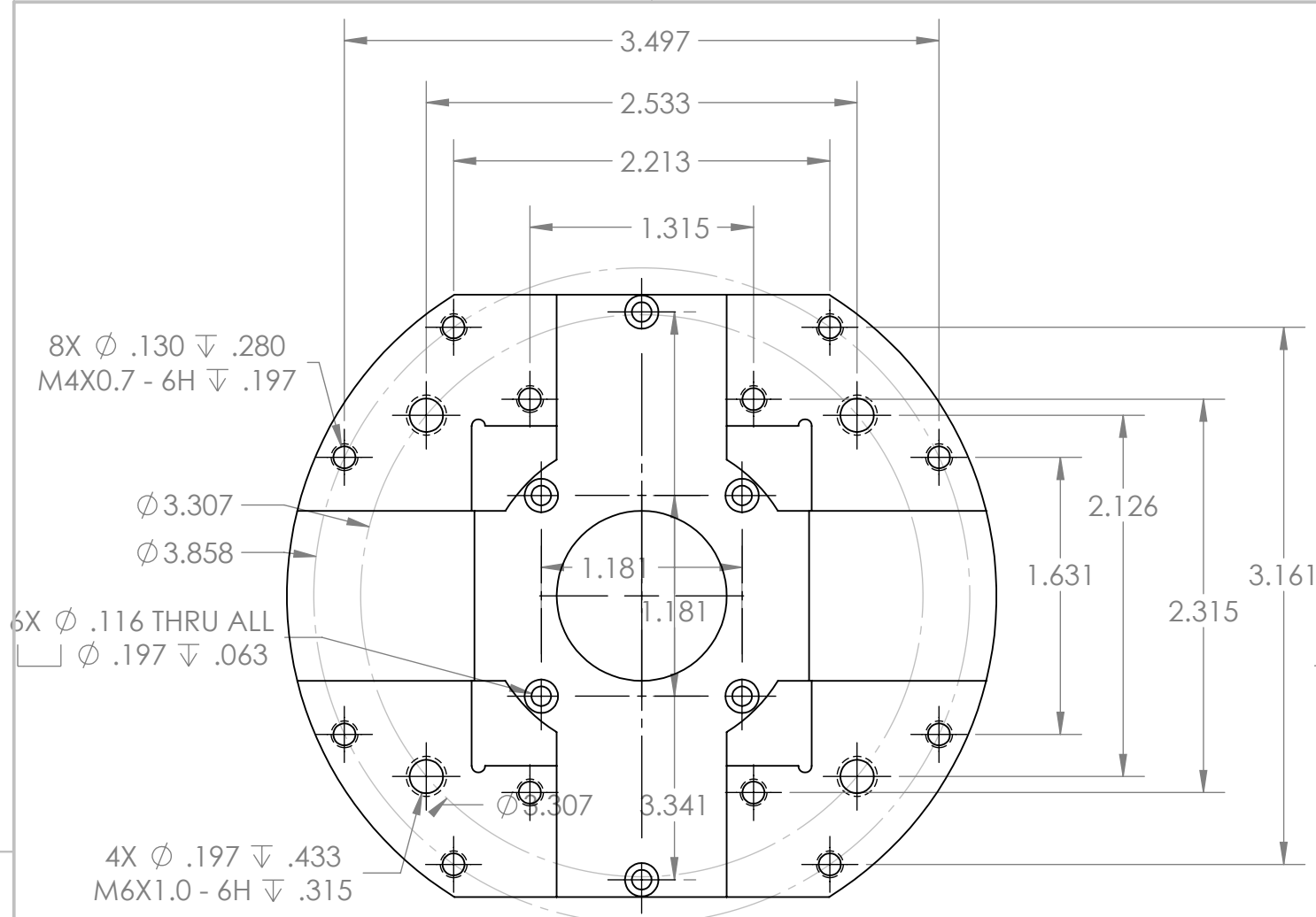
1

B

B

A

A

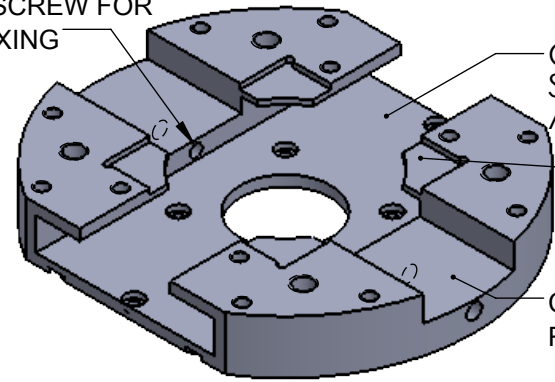


8-32 TAPED HOL
TO HOUSE 8-32
BALL END
SPRING LODED
SET SCREW FOR
INDEXING

CUT OUT FOR -
SLIT MASK SLIDER
ASSEMBLY

CUT OUT FOR 2"
SQUIRE FILTERES
X4

CUT OUT FOR MASKS AND
RESOLUTION TARGETS



PROPRIETARY AND CONFIDENTIAL
THE INFORMATION CONTAINED IN THIS
DRAWING IS THE SOLE PROPERTY OF
Fiat Lux Photonics ANY
REPRODUCTION IN PART OR AS A WHOLE
WITHOUT THE WRITTEN PERMISSION OF
Fiat Lux Photonics IS
PROHIBITED.

		UNLESS OTHERWISE SPECIFIED:		NAME	DATE
		DIMENSIONS ARE IN MM		DRAWN	DSA
		TOLERANCES:		CHECKED	8/25/16
		FRACTIONAL \pm		ENG APPR.	
		ANGULAR: MACH \pm		MFG APPR.	
		BEND \pm		Q.A.	
		One PLACE DECIMAL \pm 0.250		COMMENTS:	
		Two PLACE DECIMAL \pm 0.125			
		Three PLACE DECIMAL \pm 0.025			
		INTERPRET GEOMETRIC TOLERANCING PER:			
		MATERIAL			
		Varies			
		FINISH			
		Varies			
NEXT ASSY	USED ON	DO NOT SCALE DRAWING			
APPLICATION					

TITLE:		
IMACON 675 FLX S20 SLIT PLATE SLIDER HOLDER		
SIZE	DWG. NO.	REV
B	I 675 FLX S20 - 1	1.0
SCALE: 1:1		SHEET 3 OF 3

4

3

2

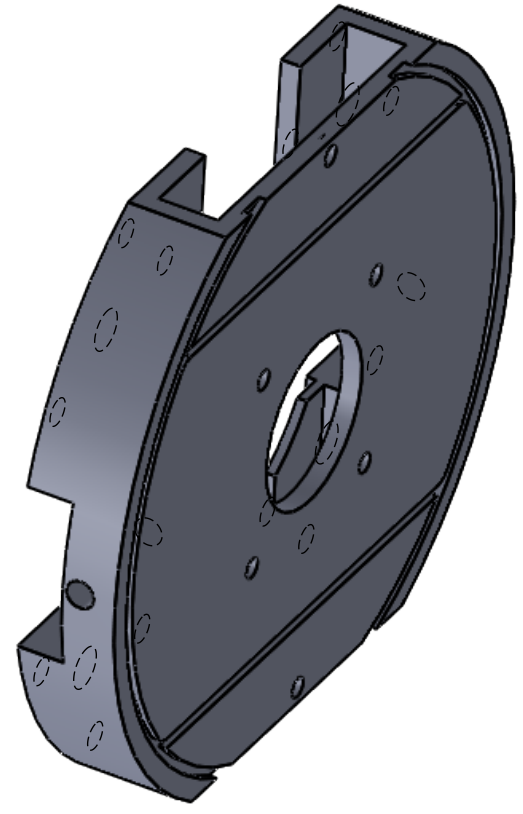
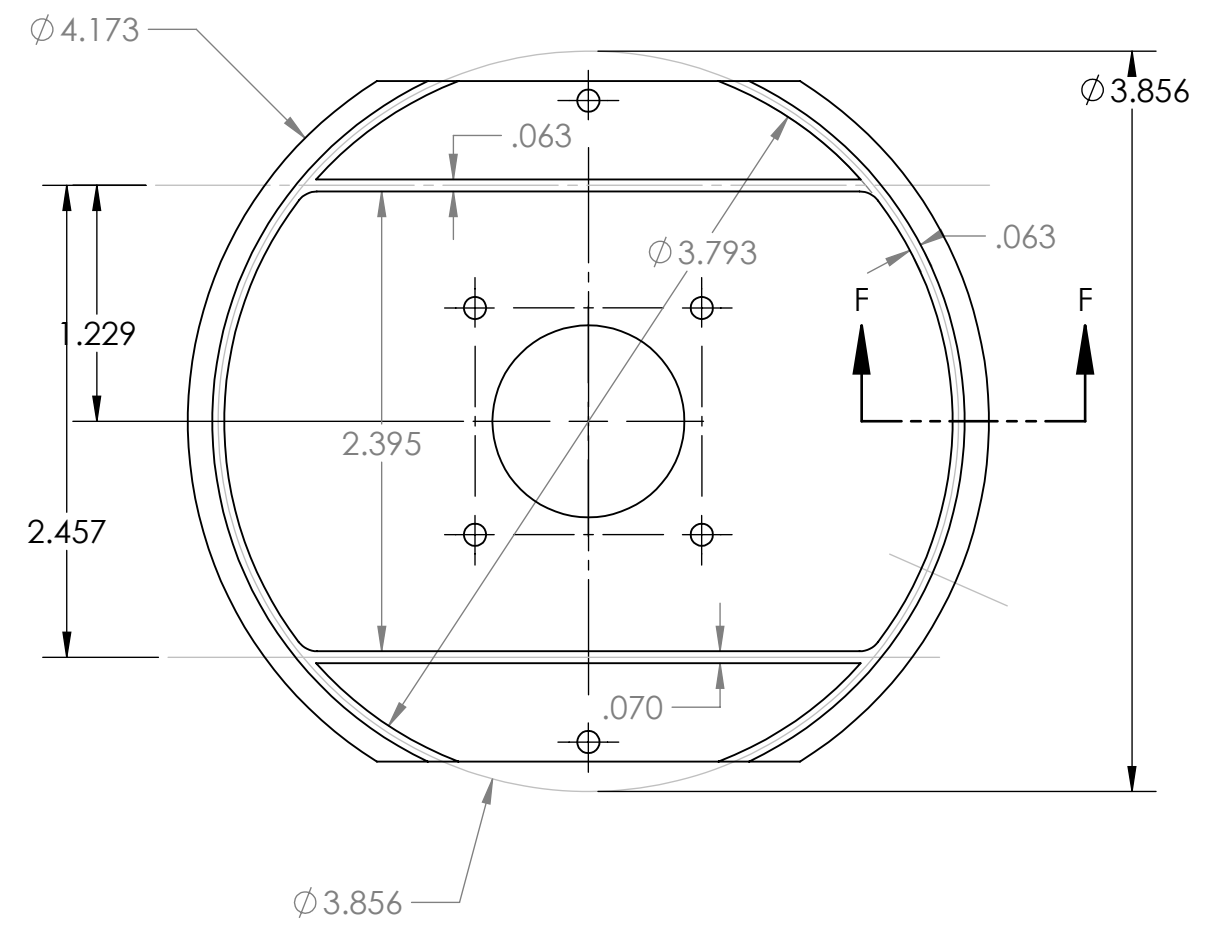
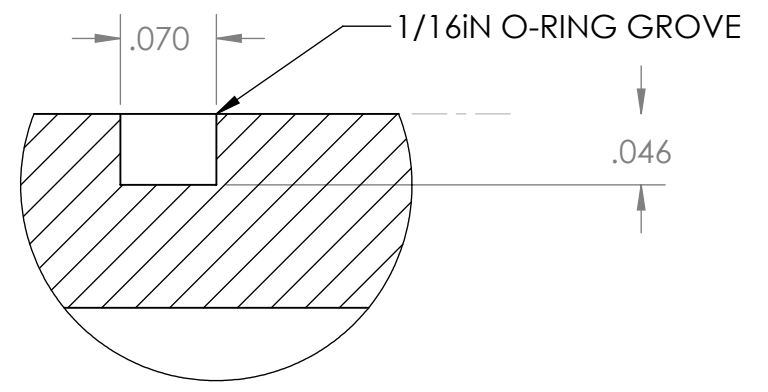
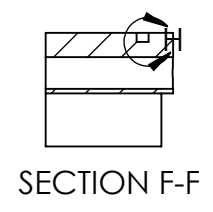
1

4

3

2

1



PROPRIETARY AND CONFIDENTIAL
 THE INFORMATION CONTAINED IN THIS DRAWING IS THE SOLE PROPERTY OF <INSERT COMPANY NAME HERE>. ANY REPRODUCTION IN PART OR AS A WHOLE WITHOUT THE WRITTEN PERMISSION OF <INSERT COMPANY NAME HERE> IS PROHIBITED.

		UNLESS OTHERWISE SPECIFIED:		NAME	DATE
		DIMENSIONS ARE IN INCHES		DRAWN	
		TOLERANCES:		CHECKED	
		FRACTIONAL ±		ENG APPR.	
		ANGULAR: MACH ± BEND ±		MFG APPR.	
		TWO PLACE DECIMAL ±		Q.A.	
		THREE PLACE DECIMAL ±		COMMENTS:	
		INTERPRET GEOMETRIC TOLERANCING PER:			
		MATERIAL			
		FINISH			
NEXT ASSY	USED ON				
APPLICATION		DO NOT SCALE DRAWING			
TITLE: Deker plate Holder o ring side					
SIZE	DWG. NO.			REV	
B					
SCALE: 1:1		WEIGHT:		SHEET 2 OF 2	

4

3

2

1

B

B

A

A